

# ANALOG CONTEMPORARY SERIES

CTM-A2315 | CTM-A2315-SPK | CTM-A2315-WM

Analog Corded Hotel Phone

**vtech**<sup>®</sup>

User 's Guide

# IMPORTANT SAFETY INSTRUCTIONS

When using your telephone equipment, basic safety precautions should always be followed to reduce the risk of fire, electric shock and injury, including the following:

1. This product should be installed by a qualified technician.
2. This product should only be connected to the host equipment and never directly to the network such as Public Switch Telephone Network (PSTN) or Plain Old Telephone Services (POTS).
3. Read and understand all instructions.
4. Follow all warnings and instructions marked on the product.
5. Unplug this product from the wall outlet before cleaning. Do not use liquid or aerosol cleaners. Use a damp cloth for cleaning.
6. Do not use this product near water such as near a bath tub, wash bowl, kitchen sink, laundry tub or swimming pool, or in a wet basement or shower.
7. Do not place this product on an unstable table, shelf, stand or other unstable surfaces.
8. Slots and openings in the back or bottom of the telephone base and handset are provided for ventilation. To protect them from overheating, these openings must not be blocked by placing the product on a soft surface such as a bed, sofa or rug. This product should never be placed near or over a radiator or heat register. This product should not be placed in any area where proper ventilation is not provided.
9. This product should be operated only from the type of power source indicated on the marking label. If you are not sure of the type of power supply on the premises, consult your dealer or local power company.
10. Do not allow anything to rest on the power cord. Do not install this product where the cord may be walked on.
11. Never push objects of any kind into this product through the slots in the telephone base or handset because they may touch dangerous voltage points or create a short circuit. Never spill liquid of any kind on the product.
12. To reduce the risk of electric shock, do not disassemble this product, but take it to an authorized service facility. Opening or removing parts of the telephone base or handset other than specified access doors may expose you to dangerous voltages or other risks. Incorrect reassembling can cause electric shock when the product is subsequently used.
13. Do not overload wall outlets and extension cords.
14. Unplug this product from the wall outlet and refer servicing to an authorized service facility under the following conditions:
  - When the power supply cord or plug is damaged or frayed.
  - If liquid has been spilled onto the product.
  - If the product has been exposed to rain or water.
  - If the product does not operate normally by following the operating instructions. Adjust only those controls that are covered by the operation instructions. Improper adjustment of other controls may result in damage and often requires extensive work by an authorized technician to restore the product to normal operation.

- If the product has been dropped and the telephone base and/or handset has been damaged.
- If the product exhibits a distinct change in performance.

15. Avoid using a telephone (other than cordless) during an electrical storm. There is a remote risk of electric shock from lightning.

16. Do not use the telephone to report a gas leak in the vicinity of the leak. Under certain circumstances, a spark may be created when the adapter is plugged into the power outlet, or when the handset is replaced in its cradle. This is a common event associated with the closing of any electrical circuit. The user should not plug the phone into a power outlet, and should not put a charged handset into the cradle, if the phone is located in an environment containing concentrations of flammable or flame-supporting gases, unless there is adequate ventilation. A spark in such an environment could create a fire or explosion. Such environments might include: medical use of oxygen without adequate ventilation; industrial gases (cleaning solvents; gasoline vapors; etc.); a leak of natural gas; etc.

17. Only put the handset of your telephone next to your ear when it is in normal talk mode.

18. The power adapters are intended to be correctly oriented in a vertical or floor mount position. The prongs are not designed to hold the plug in place if it is plugged into a ceiling, under-the-table or cabinet outlet.

19. Use only the power cord and batteries indicated in this manual. Do not dispose of batteries in a fire. They may explode. Check with local codes for possible special disposal instructions.

20. In wall mounting position, make sure to mount the telephone base on the wall by aligning the eyelets with the mounting studs of the wall plate. Then slide the telephone base down on both mounting studs until it locks into place. Refer to the full instructions in Installation in the user's manual.

#### ⚠ CAUTIONS

- Keep small metallic objects such as pins and staples away from the handset receiver.

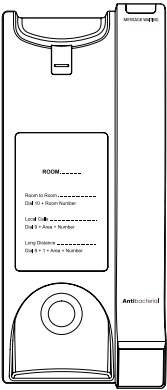

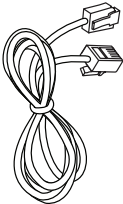
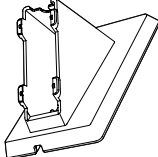
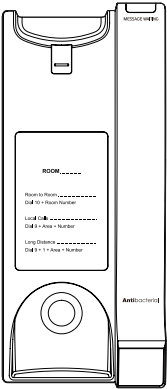
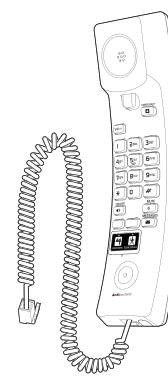

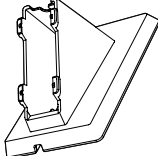
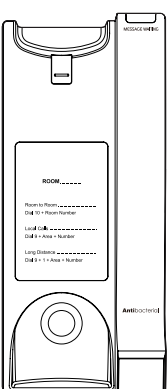

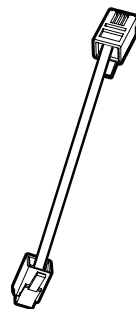
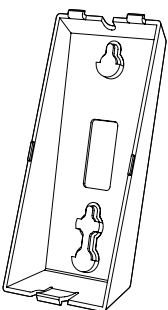
### SAVE THESE INSTRUCTIONS

# TABLE OF CONTENTS

<b>Important safety instructions</b>	<b>2</b>	Maintenance	27
<b>Parts check list</b>	<b>5</b>	Mounting bracket footprint dimension	28
<b>Telephone layout</b>	<b>6</b>	<b>Technical specification</b>	<b>29</b>
Analog Corded Trimstyle 1-line CTM-A2315	6	<b>Index</b>	<b>30</b>
Analog Corded Trimstyle 1-line CTM-A2315-SPK	7		
Analog Corded Trimstyle 1-line CTM-A2315-WM	9		
<b>Installation</b>	<b>10</b>		
Analog Corded Trimstyle 1-line CTM-A2315	10		
Analog Corded Trimstyle 1-line CTM-A2315-SPK	11		
Analog Corded Trimstyle 1-line CTM-A2315-WM	12		
<b>Telephone settings</b>	<b>14</b>		
Analog Corded Trimstyle 1-line CTM-A2315/ CTM-A2315-SPK/CTM-A2315-WM	14		
<b>Telephone operation</b>	<b>16</b>		
Analog Corded Trimstyle 1-line CTM-A2315/ CTM-A2315-WM	16		
Analog Corded Trimstyle 1-line CTM-A2315-SPK	17		
<b>Appendix</b>	<b>18</b>		
Troubleshooting	18		
VTech Hospitality Limited Warranty Program	21		
FCC, ACTA and IC regulations	23		
Precautions for users of implanted cardiac pacemakers	25		
Operating range	26		
Important note	26		
Environmental notes	26		
Product disposal instructions	26		
Technical information	27		
R&TTE	27		

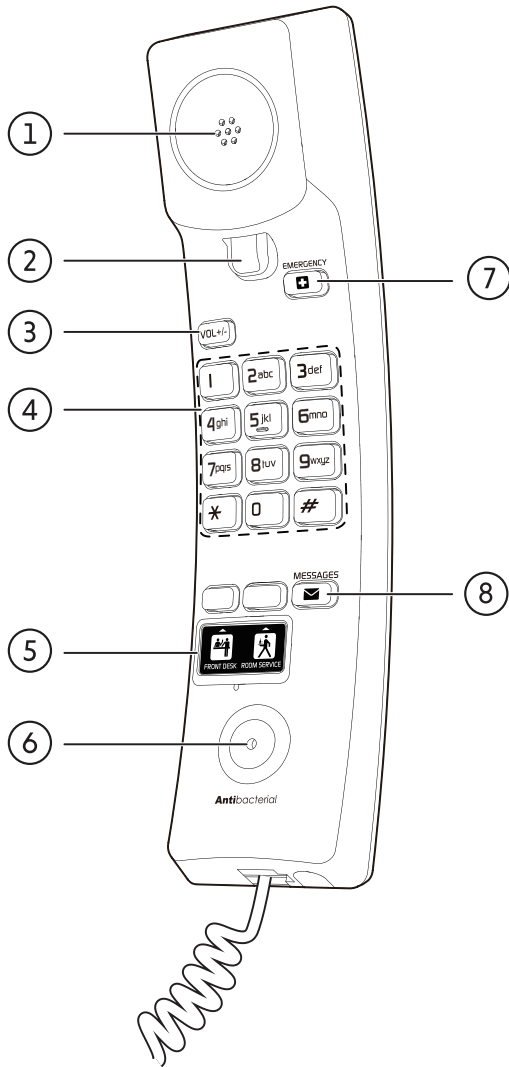
# Parts check list

Items contained in the respective **corded telephone** package:

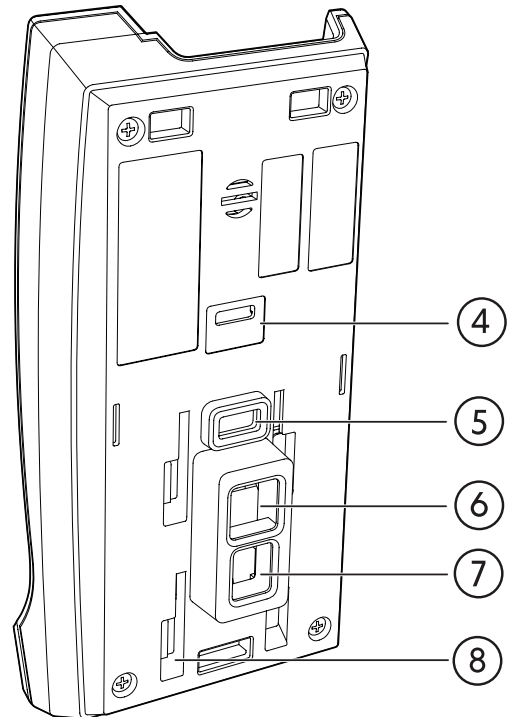
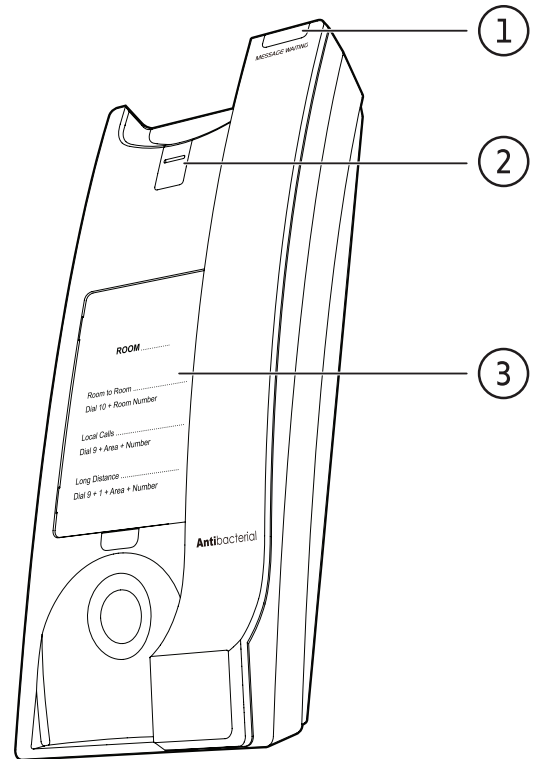
MODEL NAME	MODEL NUMBER	PARTS INCLUDED				
		TELEPHONE BASE WITH FACEPLATE AND OVERLAY	CORDED HANDSET	TELEPHONE LINE CORD	BASE STAND	MOUNTING BRACKET
Trimstyle Analog corded 1-Line	CTM-A2315					
Trimstyle Analog corded 1-Line	CTM-A2315-SPK					
Trimstyle Analog corded 1-Line	CTM-A2315-WM					

# Telephone layout

## Analog Corded Trimstyle 1-line CTM-A2315

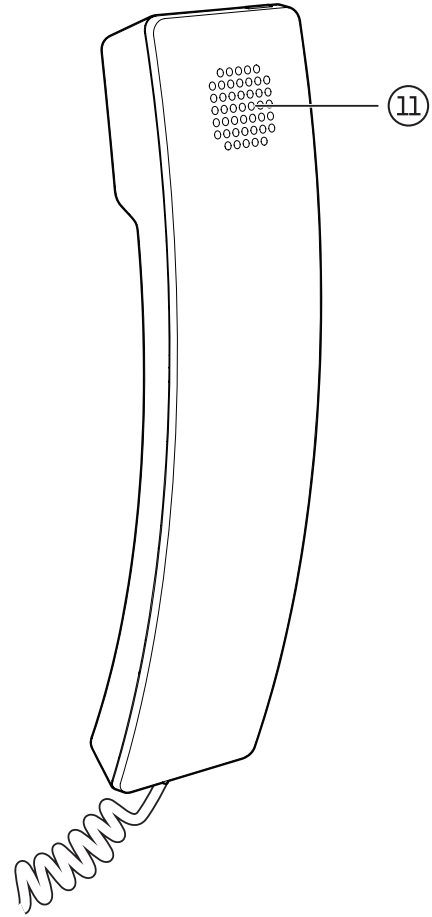
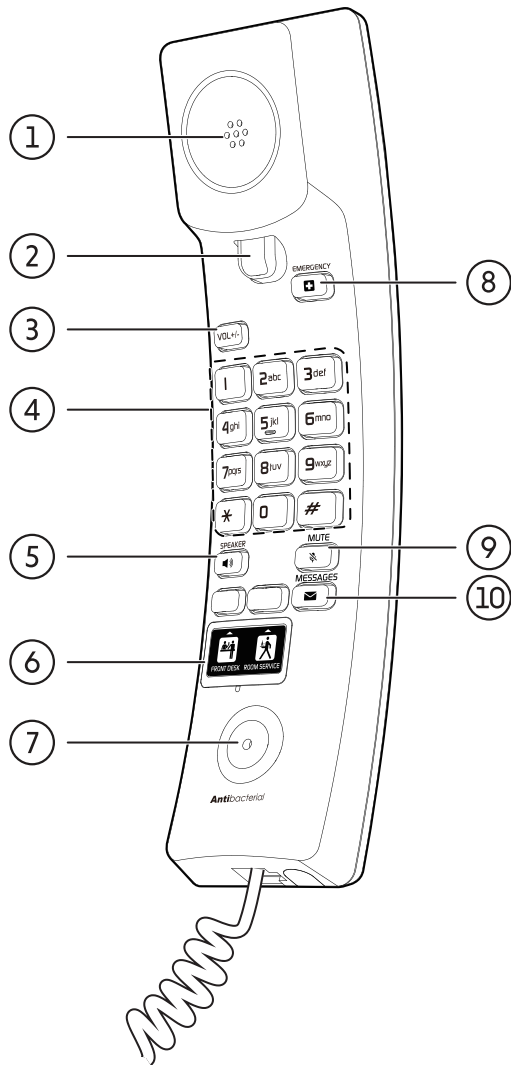


1	Corded handset earpiece
2	Switch hook
3	<b>VOLUME +/-</b>
4	Numeric dial keys
5	<b>Speed dial keys</b>
	<b>Programmable key #1</b> <b>Programmable key #2</b>
6	Microphone
7	<b>EMERGENCY</b>
8	<b>MESSAGES</b>

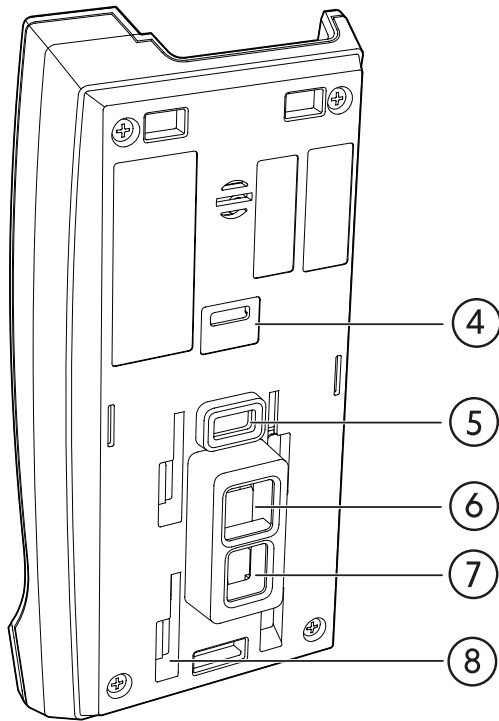
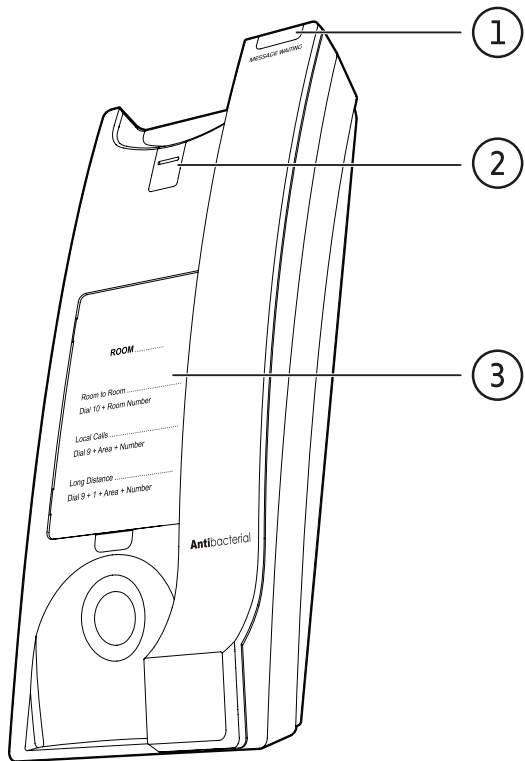


1	<b>MESSAGE WAITING LED</b>
2	Wall mount clip
3	Faceplate and overlay
4	Ringer tone switch
5	Voicemail voltage detection
6	Telephone line jack
7	Coiled handset cord jack
8	Grooves for base stand

# Analog Corded Trimstyle 1-line CTM-A2315-SPK



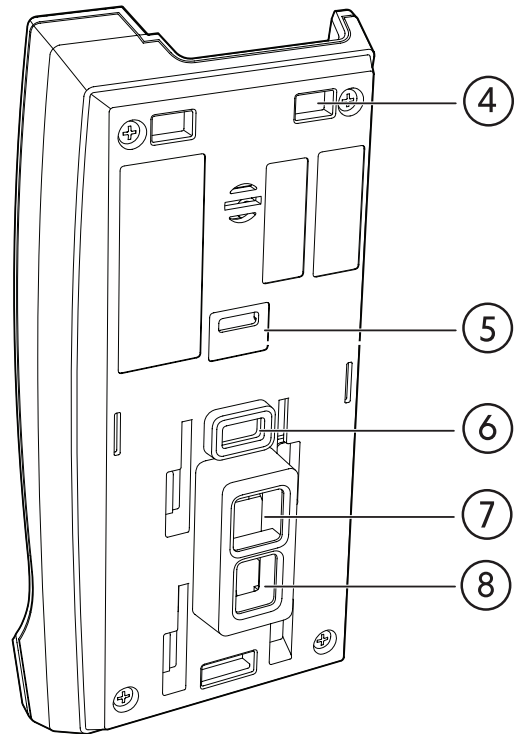
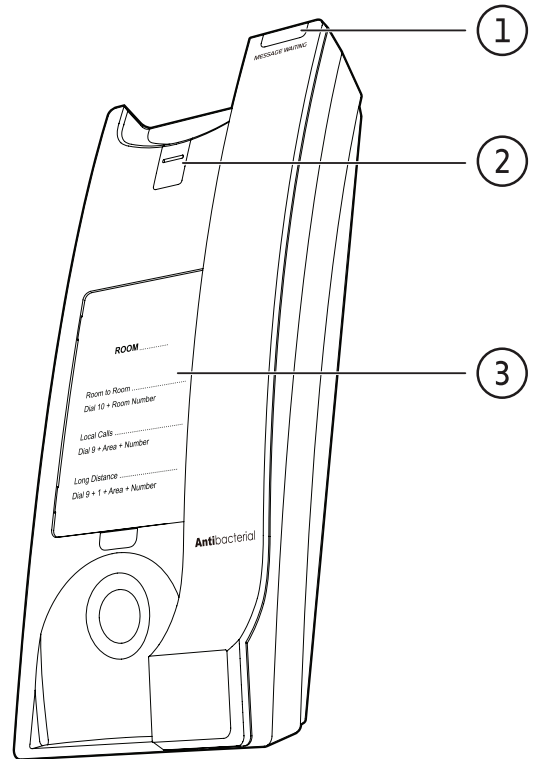
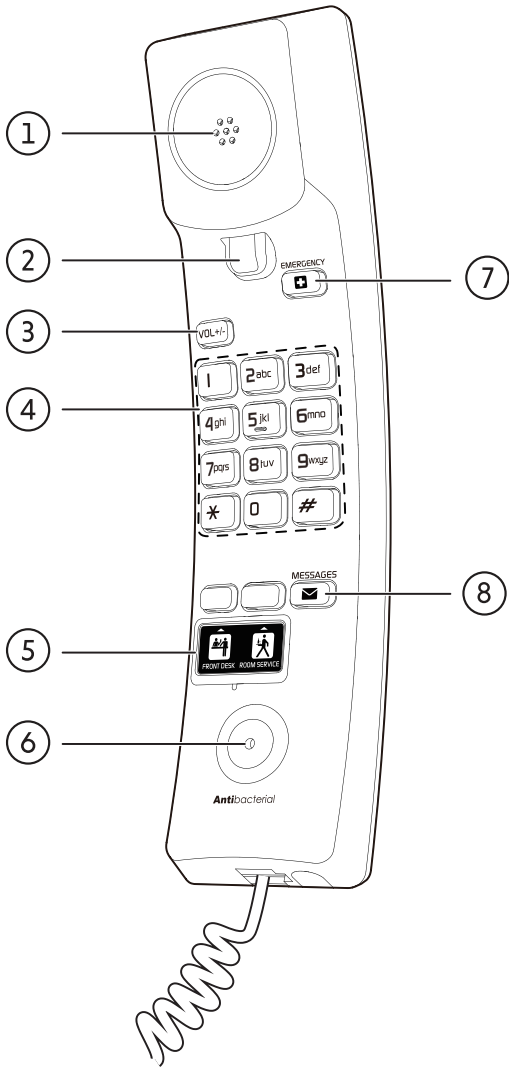
1	Corded handset earpiece
2	Switch hook
3	<b>VOLUME +/-</b>
4	Numeric dial keys
5	<b>🔊/SPEAKER</b>
6	<b>Speed dial keys</b>
	<b>Programmable key #1</b>
	<b>Programmable key #2</b>
7	Microphone
8	<b>🚒/EMERGENCY</b>
9	<b>MUTE</b>
10	<b>MESSAGES</b>
11	Speakerphone



1	<b>MESSAGE WAITING LED</b>
2	Wall mount clip
3	Faceplate and overlay
4	Ringer tone switch
5	Voicemail voltage detection
6	Telephone line jack
7	Coiled handset cord jack
8	Grooves for base stand



# Analog Corded Trimstyle 1-line CTM-A2315-WM



1	Corded handset earpiece
2	Switch hook
3	<b>VOLUME +/-</b>
4	Numeric dial keys
5	<b>Speed dial keys</b>
	<b>Programmable key #1</b>
	<b>Programmable key #2</b>
6	Microphone
7	<b>☒/EMERGENCY</b>
8	<b>MESSAGES</b>

1	<b>MESSAGE WAITING LED</b>
2	Wall mount clip
3	Faceplate and overlay
4	Grooves for mounting bracket
5	Ringer tone switch
6	Voicemail voltage detection
7	Telephone line jack
8	Coiled handset cord jack

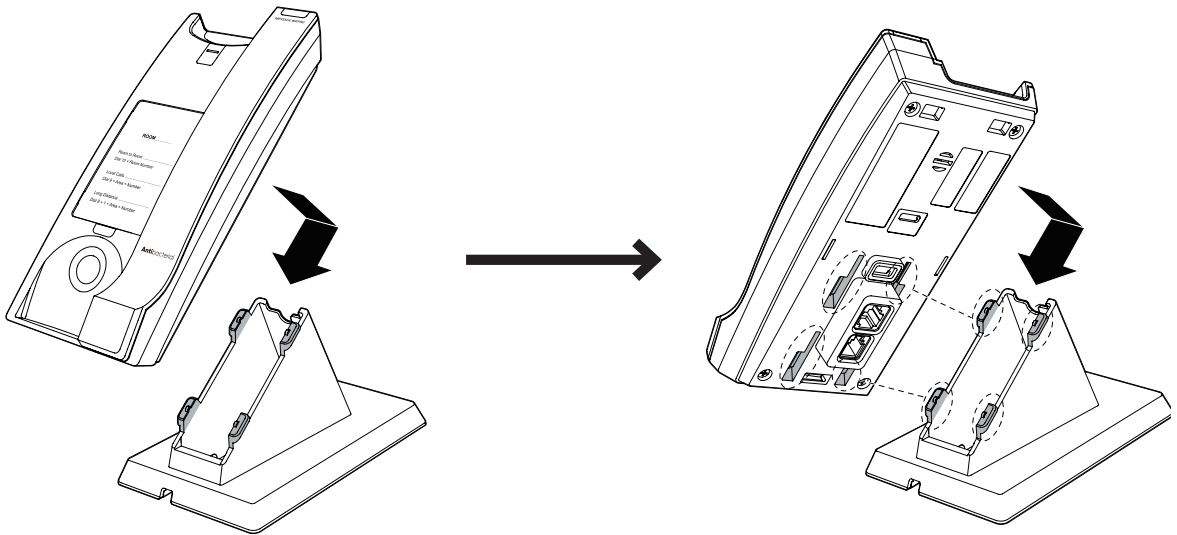
# Installation

## Analog Corded Trimstyle 1-line CTM-A2315

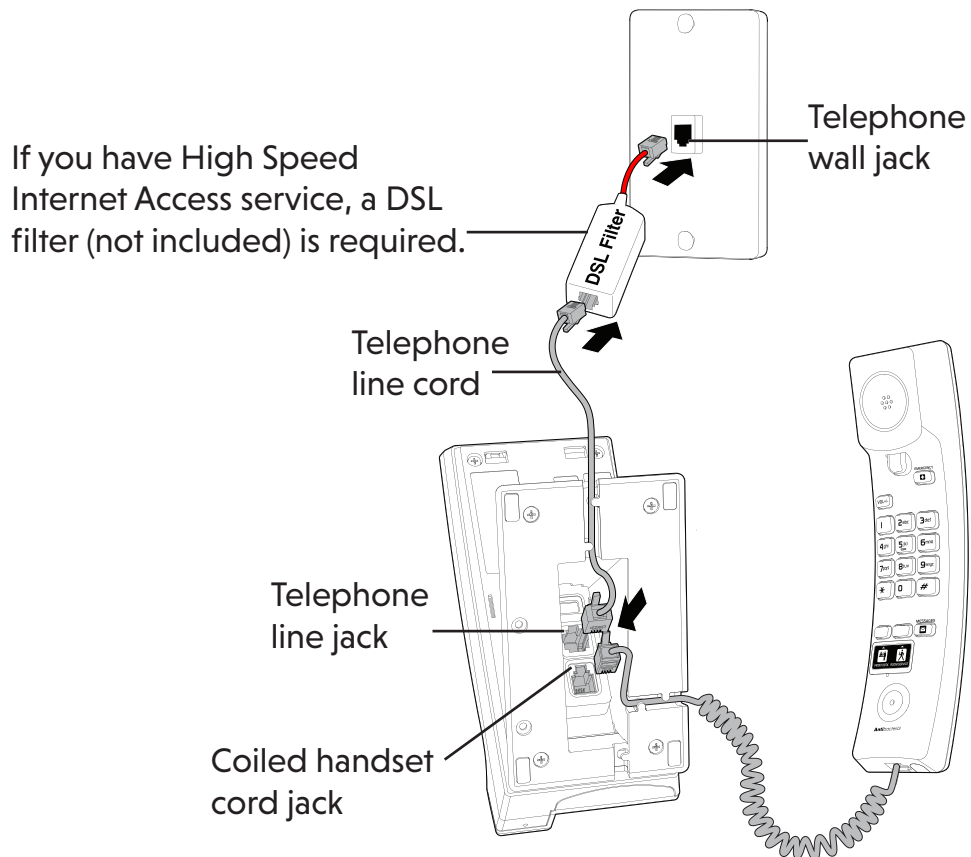
### TELEPHONE BASE INSTALLATION

#### INSTALLATION OPTION - DESKTOP POSITION

1. Turn the telephone base over with the bottom side facing up. Insert the base stand into the lower grooves on the telephone base until they lock securely as shown below.



2. Connect both the telephone line and coiled handset cord to the telephone base and route them along the wire ducts accordingly. Install the telephone base as shown below.

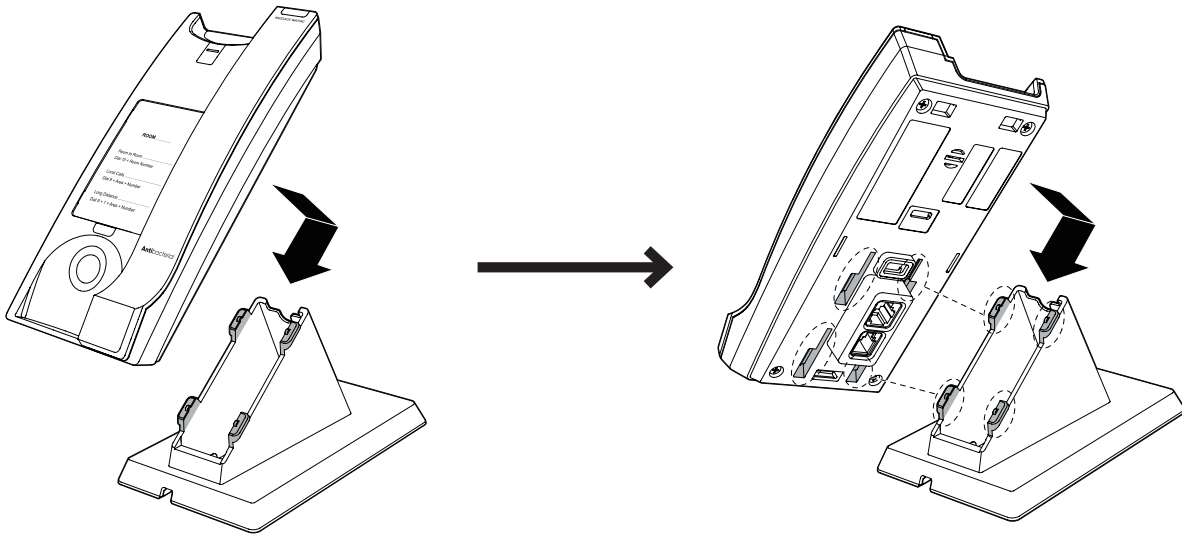


# Analog Coded Trimstyle 1-line CTM-A2315-SPK

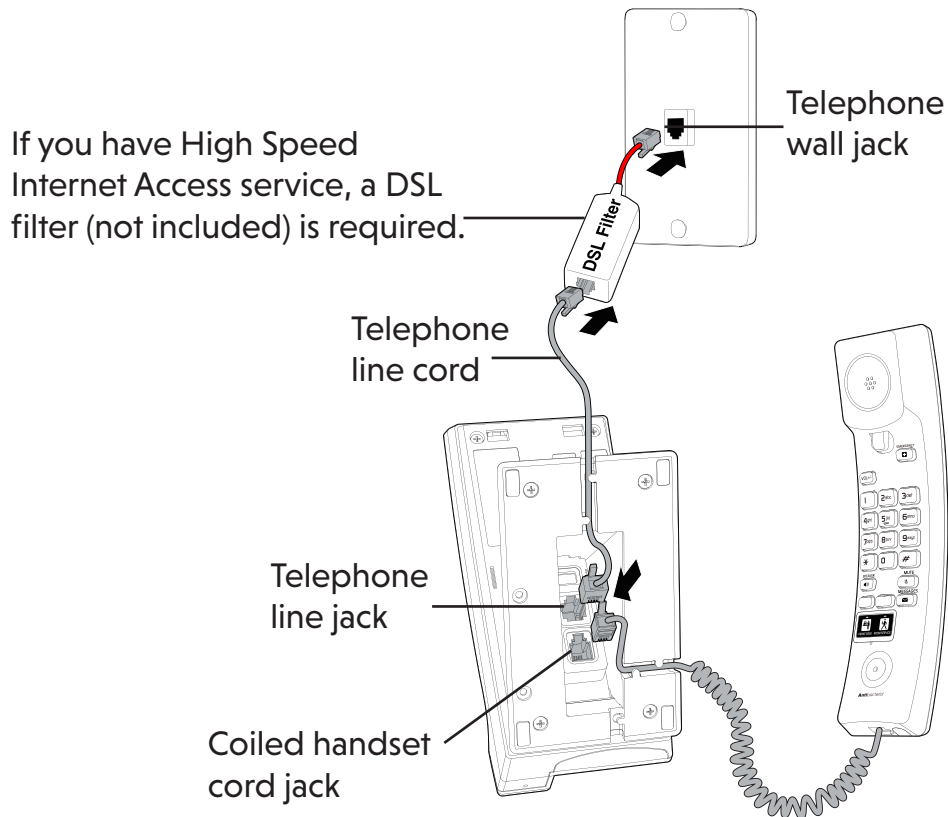
## TELEPHONE BASE INSTALLATION

### INSTALLATION OPTION - DESKTOP POSITION

1. Turn the telephone base over with the bottom side facing up. Insert the base stand into the lower grooves on the telephone base until they lock securely as shown below.



2. Connect both the telephone line and coiled handset cord to the telephone base and route them along the wire ducts accordingly. Install the telephone base as shown below.



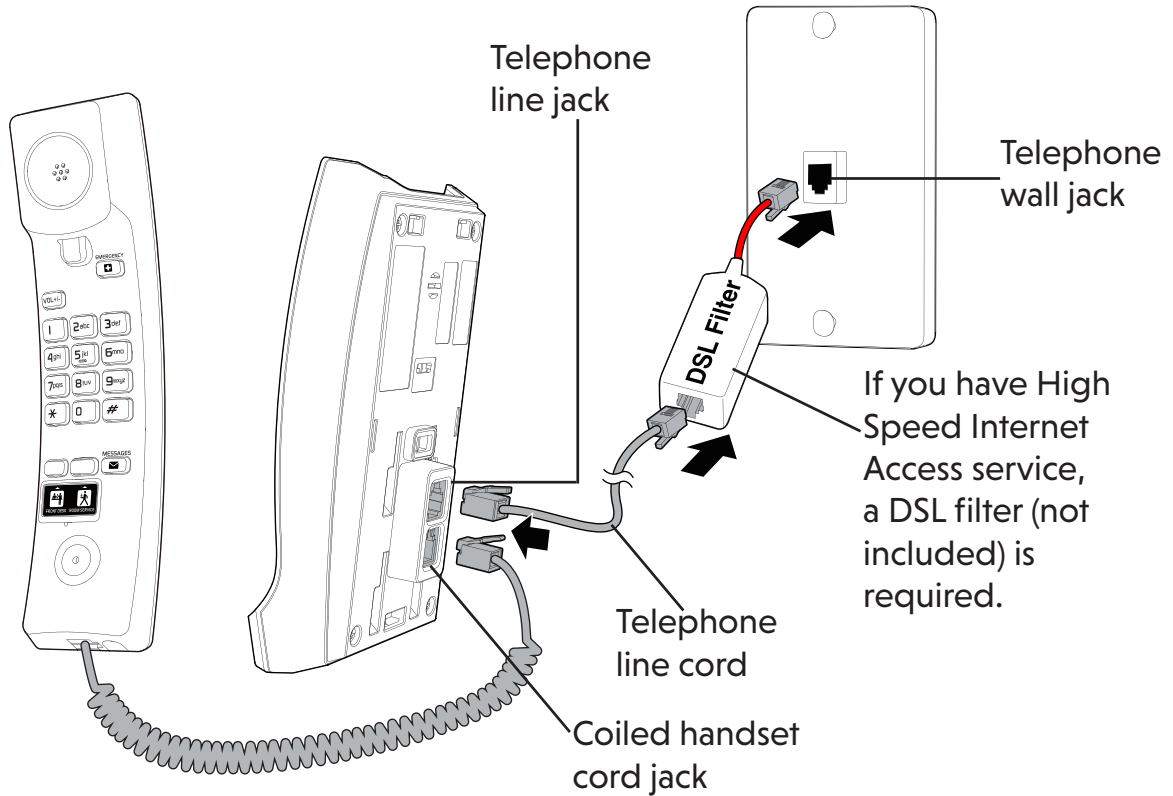
# Analog Corded Trimstyle 1-line CTM-A2315-WM

## TELEPHONE BASE INSTALLATION

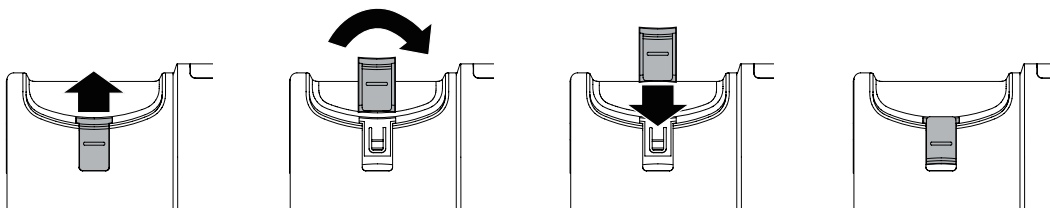
### INSTALLATION OPTION - WALL MOUNT POSITION

#### TO MOUNT THE TELEPHONE BASE ON THE WALL

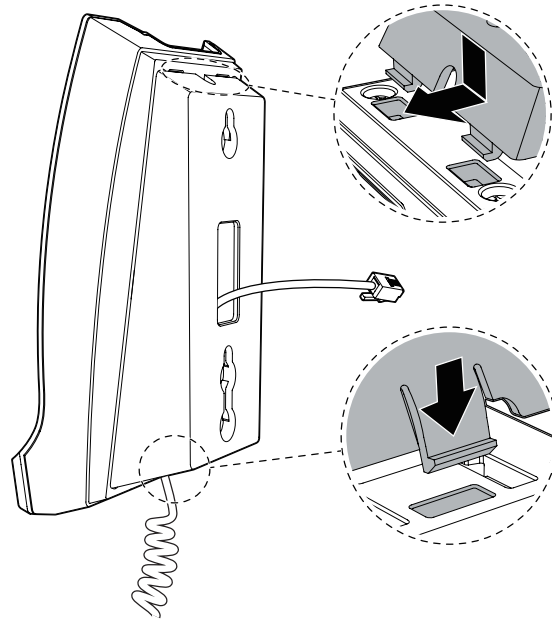
1. Install the telephone base as shown below.



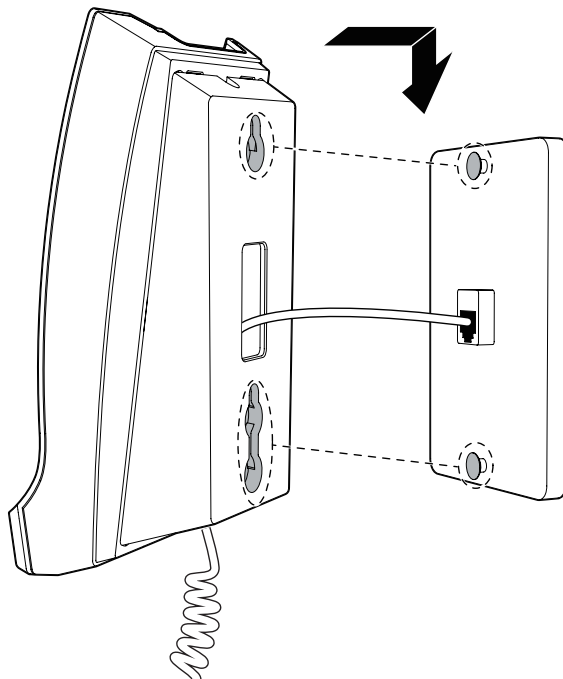
2. Put the corded handset aside. On the telephone base, place a coin in the slit of the wall mount clip and rotate a half turn (180°).
  - It locks into place with the protruding edge pointing towards the upper edge of the telephone base. This protruding edge holds the corded handset when the phone is mounted on the wall.



3. Turn the telephone base over with the bottom side facing up. Insert the mounting bracket into the two upper grooves and a lower groove on the telephone base until they lock securely. In the meantime, the telephone cord sticks out from the rectangular hole and affix coil handset cord by fitting it in the semi-circle holes at the bottom of the mounting bracket as shown below.



4. Mount the telephone base on the wall by positioning the eyelets on the mounting bracket against the mounting studs. Then, slide the telephone base down on both mounting studs until it locks into place.



5. Place the corded handset on the telephone base cradle.

# Telephone settings

## Analog Corded Trimstyle 1-line

CTM-A2315/CTM-A2315-SPK/

CTM-A2315-WM

Default settings are indicated by asterisks (\*).

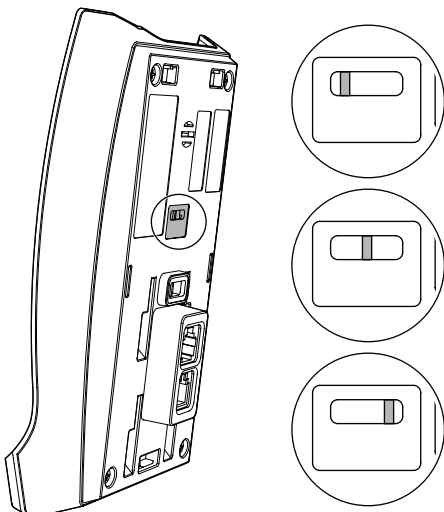
SETTING	OPTIONS	ADJUSTABLE BY
Handset earpiece volume	1, 2*, 3	User and administrator
Speakerphone volume (for model <b>A2315-SPK</b> only)	1, 2, 3, 4*, 5, 6	User and administrator
Ringer tone	Tone 1*, Tone 2, Tone 3	Adminstrator only
Voicemail voltage detection	Disable voicemail voltage detection, Periodic low voltage pulse detection method, Steady high voltage and periodic high voltage pulse detection method	Adminstrator only

### RINGER TONE

There are 3 ringer tone options.

#### TO CHANGE THE RINGER TONE

1. Turn the telephone base over with the bottom side facing up. Remove the sticker above the voicemail voltage detection sticker.
2. Use a narrow object such as a standard screwdriver to slide the ringer tone switch (on the left, in the middle or on the right) as shown below to select the desired detented position.
3. Put the sticker back in place.

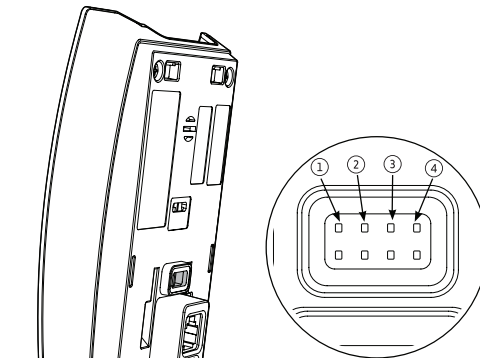


### VOICEMAIL VOLTAGE DETECTION

There are 3 options to set the voicemail voltage detection on the telephone base.

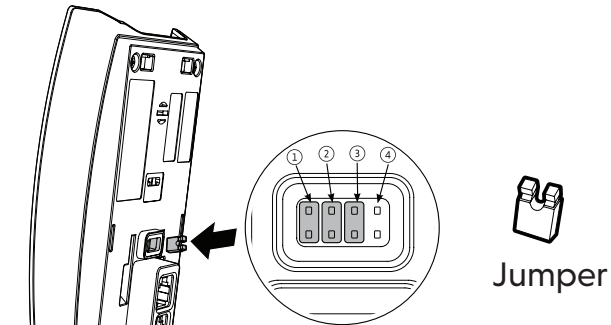
#### TO DISABLE THE VOICEMAIL VOLTAGE DETECTION

1. Turn the telephone base over with the bottom side facing up. Remove the sticker above the telephone line jack.
2. Use a narrow object to unplug all the jumpers from the telephone base.
3. Put the sticker back in place.



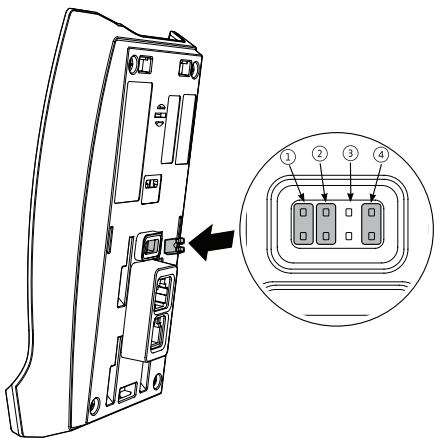
## TO SET THE VOICEMAIL VOLTAGE DETECTION BY THE PERIODIC LOW VOLTAGE PULSE DETECTION METHOD

1. Turn the telephone base over with the bottom side facing up. Remove the sticker above the telephone line jack.
2. Use a narrow object to unplug all the jumpers from the telephone base. Then, plug the jumpers into ①, ② and ③.
3. Put the sticker back in place.



## TO SET THE VOICEMAIL VOLTAGE DETECTION BY THE STEADY HIGH VOLTAGE AND PERIODIC HIGH VOLTAGE PULSE DETECTION METHOD

1. Turn the telephone base over with the bottom side facing up. Remove the sticker above the telephone line jack.
2. Use a narrow object to unplug all the jumpers from the telephone base. Then plug the jumpers into ①, ② and ④.
3. Put the sticker back in place.



## SPEED DIAL KEYS

There are 4 programmable guest-service (Speed Dial) keys including programmable key #1, programmable key #2, **EMERGENCY** and **MESSAGES**. Program these keys to automatically dial telephone numbers or to activate telephone system features.

### TO PROGRAM A SPEED DIAL KEY

1. Lift the corded handset. Then, press the recessed **PROGRAM** key to enter the administrator mode.
2. Press the desired Speed Dial key where the telephone number is to be stored.
3. Enter the telephone number (up to 16 digits in length).
  - To insert a pause in the stored number, press the recessed **PAUSE** key.
4. The telephone stores the number automatically when 16 digits are entered. When the number has less than 16 digits, press the recessed **PROGRAM** key again. You hear 3 rising beeps as confirmation.

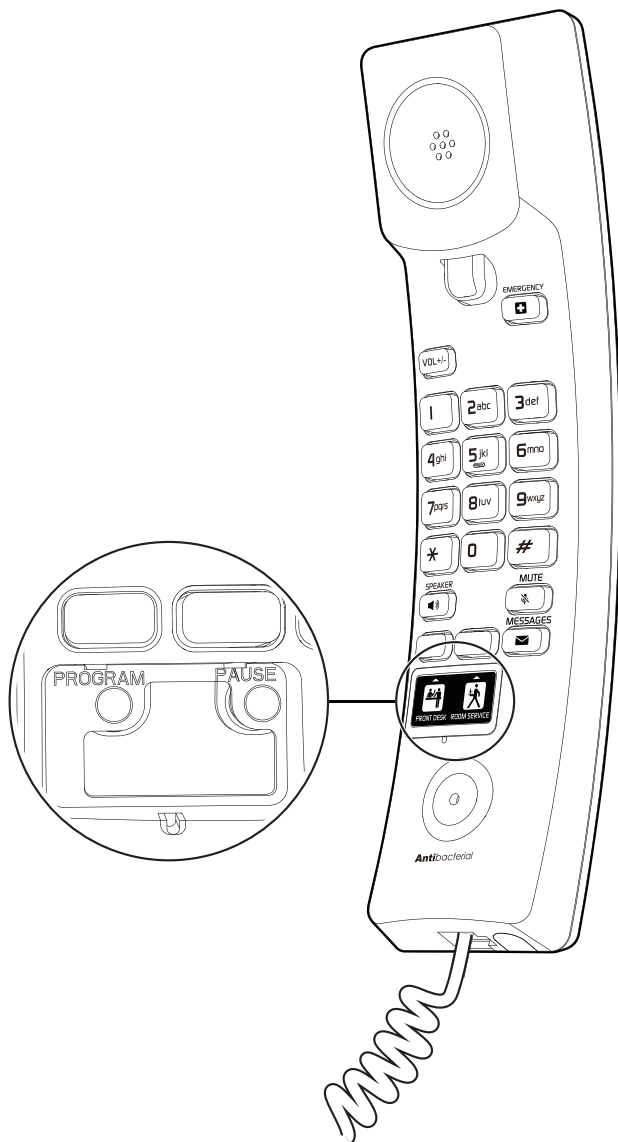
### TO CLEAR THE PROGRAMMED SPEED DIAL KEY

1. Lift the corded handset. Then, press the recessed **PROGRAM** key to enter the administrator mode.
2. Press the Speed Dial key where the telephone number is to be deleted. Then, press the recessed **PROGRAM** key again. You hear 3 rising beeps as confirmation.

The **PROGRAM** key and the **PAUSE** key are embedded under the speed dial keys' sticker cover as shown below.

#### TO REMOVE THE SPEED DIAL KEY STICKER COVER

1. Use a narrow object such as a mini screwdriver or a paper clip to slide in the tiny semi-circle hole on the bottom of the sticker cover .
2. Pry open the speed dial key sticker cover and you will hear a "click" sound when the cover is detached from the telephone base.



## Telephone operation

### Analog Corded Trimstyle 1-line CTM-A2315/ CTM-A2315-WM

#### RECEIVE A CALL

When there is an incoming call, the telephone rings and the **MESSAGE WAITING** LED flashes.

#### ANSWER A CALL:

Lift the corded handset from the telephone base to answer.

#### PLACE A CALL

Lift the corded handset from the telephone base. Listen for a dial tone and then dial the desired number.

#### END A CALL

Place the corded handset on the telephone base.

#### VOLUME

Listening volume can be adjusted from the corded handset whereas ringer volume cannot be adjusted.

#### TO ADJUST THE LISTENING VOLUME:

During a call, press **VOL+/-** to adjust the listening volume. The next call returns to the default listening volume.

#### PLAY MESSAGES

Press **MESSAGES** in idle mode to play messages.



## Analog Corded Trimstyle 1-line CTM-A2315-SPK

### RECEIVE A CALL

When there is an incoming call, the telephone rings and the **MESSAGE WAITING** LED flashes.

### ANSWER A CALL:

Lift the corded handset from the telephone base to answer or press **◀▶/SPEAKER**. The **◀▶/SPEAKER** key illuminates when in use.

### PLACE A CALL

Lift the corded handset from the telephone base or press **◀▶/SPEAKER**. Listen for a dial tone, and then dial the desired number. The **◀▶/SPEAKER** key illuminates when in speakerphone mode.

### END A CALL

Place the corded handset in the telephone base or press **◀▶/SPEAKER** when in speakerphone mode.

### VOLUME

Listening volume can be adjusted from the corded handset whereas ringer volume cannot be adjusted.

### ADJUST THE LISTENING VOLUME

During a call, press **VOL+/-** to adjust the listening volume. The next call returns to the default listening volume. the default listening volume.

### SPEAKERPHONE

1. During a call, press **◀▶/SPEAKER** to switch a call between the corded handset earpiece and the speakerphone. Press **◀▶/SPEAKER** again to switch back to the corded handset earpiece. The **◀▶/SPEAKER** key illuminates when in use.
2. In idle mode, press **◀▶/SPEAKER** to activate the speakerphone mode and **◀▶/SPEAKER** key illuminates when in speakerphone mode.

### MUTE

#### MUTE THE MICROPHONE

1. During a call, press **MUTE**.
  - The **MUTE** key illuminates when the mute function is turned on. You can hear the party on the other end but they cannot hear you.
2. Press **MUTE** again to resume the conversation.
  - The light on the **MUTE** key turns off.

### PLAY MESSAGES

Press **MESSAGES** in idle mode to play messages.

# Appendix

## Troubleshooting

If you have difficulty with the telephones, please try the suggestions below. For customer service, visit our website at [www.vtechhotelphones.com](http://www.vtechhotelphones.com) or call the local distributor.

### FOR CORDED TELEPHONE

QUESTION	SUGGESTION
The telephone does not work at all.	<ul style="list-style-type: none"><li>• Make sure the telephone line cord is plugged firmly into the telephone wall jack.</li><li>• Disconnect the telephone base from the telephone wall jack and plug in a working telephone. If the other telephone does not work, the problem is probably in the wiring or telephone service. Contact your telephone service provider (charges may apply).</li></ul>
There is no dial tone.	<ul style="list-style-type: none"><li>• Try all the above suggestions.</li><li>• The telephone line cord may be defective. Install a new telephone line cord.</li><li>• Disconnect the telephone base from the telephone wall jack and connect a different telephone. If there is no dial tone on this telephone either, the problem is in your wiring or telephone service. Contact your telephone service provider (charges may apply).</li></ul>
I cannot dial out.	<ul style="list-style-type: none"><li>• Try all the above suggestions.</li><li>• Make sure there is a dial tone before dialing.</li><li>• Eliminate any background noise. Mute the telephone before dialing, if applicable, or dial from another room in your unit with less background noise.</li><li>• If other telephones in your hotel are having the same problem, the problem is in the wiring or telephone service. Contact your telephone service provider (charges may apply).</li></ul>

## QUESTION

## SUGGESTION

The telephone does not ring when there is an incoming call.

- Make sure the telephone line cord is plugged in properly (page 10, 11, and 12).
- If other telephones in your hotel are having the same problem, the problem is in the wiring or telephone service. Contact your telephone service provider (charges may apply).
- Test a working telephone at the telephone wall jack. If another telephone has the same problem, the problem is in the telephone wall jack. Contact your telephone service provider (charges may apply).
- The telephone line cord may be defective. Install a new telephone line cord.

There is interference during a telephone conversation.

- If there is High Speed Internet Access (HSIA) available at the premises through a telephone line, you may need to install a DSL filter (DSL - digital subscriber line) between the telephone line cord and the telephone wall jack. The filter prevents noise and caller ID problems caused by DSL interference. Contact your DSL service provider for more information about DSL filters.
- If your telephone is plugged in with a modem or a surge protector, plug the telephone (or modem/surge protector) into a different location. If this doesn't solve the problem, relocate your telephone or modem farther apart from each other, or use a different surge protector.
- Disconnect the telephone base from the telephone wall jack. Plug in a different telephone. If calls are still not clear, the problem is probably in the wiring or telephone service. Contact your telephone service provider (charges may apply).
- If other telephones in your hotel are having the same problem, the problem is in the wiring or telephone service. Contact your telephone service provider (charges may apply).

**QUESTION**

I hear other calls when using the telephone.

**SUGGESTION**

- Disconnect the telephone base from the telephone wall jack. Plug in a different telephone. If you still hear other calls, the problem is probably in the wiring or telephone service. Contact your telephone service provider (charges may apply).

# Appendix

## VTech Hospitality Limited Warranty Program

VTech Telecommunications Ltd., the manufacturer of VTech Hospitality Product ("Product"), warrants to the holder of a valid proof of purchase ("end user" or "you") that the Product and all accessories provided by VTech in the Product's package are free from defects in material and workmanship, pursuant to the following terms and conditions, when installed and used normally and in accordance with the Product's operating instructions. The limited warranty extends to the end user of this Product and applies only if such Product is purchased through a distributor. The limited warranty period for this Product is determined based on the following:

### 5 YEARS – ANALOG MODELS

- All Classic Models – corded and cordless
- All Contemporary Models – corded and cordless
- All TrimStyle Models

### 2 YEARS – SIP NON-DISPLAY MODELS

- All Classic Models – corded and cordless
- All Contemporary Models – corded and cordless
- All TrimStyle Models

During the limited warranty period, VTech's authorized service representative will repair or replace, at VTech's option, without charge, a Product that is not free from defects in materials and workmanship. If VTech's authorized service representative repairs the Product, new or refurbished replacement parts may be used. If the Product is replaced, it may be replaced with a new or refurbished Product of the same or similar design. Repair

or replacement of Product, at VTech's option, is the exclusive remedy.

The limited warranty period for the Product begins on the date that the end user takes possession of the Product. This limited warranty also applies to repaired or replacement Products for a period of either: (a) 90 days from the date the repaired or replacement Product is shipped to you; or (b) the time remaining on the original limited warranty as described above; whichever is longer.

This limited warranty does not cover:

1. Product or parts that have been subjected to misuse, accident, shipping or other physical damage, improper installation, abnormal operation or handling, neglect, inundation, fire, water or other liquid intrusion; or
2. Product that has been damaged due to repair, alteration or modification by anyone other than an authorized service representative of VTech; or
3. Product to the extent that the problem experienced is caused by signal conditions, network reliability or cable or antenna systems; or
4. Product to the extent that the problem is caused by use with non-VTech accessories; or
5. Product whose warranty/quality stickers, product serial number plates or electronic serial numbers have been removed, altered or rendered illegible; or
6. Product purchased, used, serviced, or shipped for repair from outside Europe, or used for non-approved commercial or institutional purposes (including but not limited to Products used for rental purposes); or
7. Product returned without valid proof of purchase; or

8. Charges or costs incurred by the end user, and risk of loss or damage, in removing and shipping the Product, or for installation or set up, adjustment of customer controls, and installation or repair of systems outside the unit.

9. Line cords or coil cords, plastic overlays, connectors, power adapters and batteries, if the Product is returned without them. VTech will charge the end user at then-current prices for each of the missing items.

10. NiCd or NiMH handset batteries, or power adapters, which, under all circumstances, are covered by a one (1) year warranty only.

Except as provided by applicable law, you assume the risk of loss or damage during transit and transportation and are responsible for delivery or handling charges incurred in the transport of Product(s) to the service location. VTech's authorized service representative will return repaired or replaced product under this limited warranty to you, transportation, delivery and handling charges prepaid. VTech assumes no risk for damage or loss of the Product in transit.

If the Product failure is not covered by this limited warranty, or proof of purchase does not meet the terms of this limited warranty, VTech will notify you and will request that you authorize the cost of repair and return shipping costs for the repair of Products that not covered by this limited warranty. You must pay for the cost of repair and return shipping costs for the repair of Products that are not covered by this limited warranty.

## OTHER LIMITATIONS

This warranty is the complete and exclusive agreement between you and VTech. It supersedes all other written or oral communications related to this Product. VTech provides no other warranties for this Product, whether express or implied, oral or written, or statutory. The warranty exclusively describes all of VTech's responsibilities regarding the Product. No one is authorized to make modifications to this warranty and you should not rely on any such modification.

VTech's liability to end user hereunder shall not exceed the purchase price of the Product. In no event shall VTech be liable for any indirect, special, incidental, consequential, or similar damages (including, but not limited to lost profits or revenue, inability to use the product, or other associated equipment, the cost of substitute equipment, and claims by third parties) resulting from the use of this Product. Some states/provinces do not allow the exclusion or limitation of incidental or consequential damages, so the above limitation or exclusion may not apply to you.

This warranty gives you specific legal rights, and you also have other rights which vary from state to state or province to province.

# Appendix

## FCC, ACTA and IC regulations

### FCC PART 15

This equipment has been tested and found to comply with the requirements for a Class B digital device under Part 15 of the Federal Communications Commission (FCC) rules. These requirements are intended to provide reasonable protection against harmful interference in a residential installation.

This equipment generates, uses and can radiate radio frequency energy and, if not installed and used in accordance with the instructions, may cause harmful interference to radio communications. However, there is no guarantee that interference will not occur in a particular installation. If this equipment does cause harmful interference to radio or television reception, which can be determined by turning the equipment off and on, the user is encouraged to try to correct the interference by one or more of the following measures:

- Reorient or relocate the receiving antenna.
- Increase the separation between the equipment and receiver.
- Connect the equipment into an outlet on a circuit different from that to which the receiver is connected.
- Consult the dealer or an experienced radio/TV technician for help.

Changes or modifications to this equipment not expressly approved by the party responsible for compliance could void the user's authority to operate the equipment.

This device complies with Part 15 of the FCC rules. Operation is subject to the following two conditions: (1) this device may not cause harmful interference, and (2) this device must accept any interference received, including interference that may cause undesired operation.

This Class B digital apparatus complies with Canadian ICES-003.

### FCC PART 68 AND ACTA

This equipment complies with Part 68 of the FCC rules and with technical requirements adopted by the Administrative Council for Terminal Attachments (ACTA). The label on the back or bottom of this equipment contains, among other things, a product identifier in the format US:AAAKXNANXXXX. This identifier must be provided to your telephone service provider upon request.

The plug and jack used to connect this equipment to premises wiring and the telephone network must comply with applicable Part 68 rules and technical requirements adopted by ACTA. A compliant telephone cord and modular plug is provided with this product. It is designed to be connected to a compatible modular jack that is also compliant. An RJ11 jack should normally be used for connecting to a single line. See the installation instructions in the user's manual.

The Ringer Equivalence Number (REN) is used to determine how many devices you may connect to your telephone line and still have them ring when you are called. The REN for this product is encoded as the 6th and 7th characters following the US: in the product identifier (e.g., if ## is 03, the REN is 0.3). In most, but not all areas, the sum of all RENs should be five (5.0) or less. For more information, please contact your telephone service provider.

This equipment may not be used with Party Lines. If you have specially wired alarm dialing equipment connected to your telephone line, ensure the connection of this equipment does not disable your alarm equipment. If you have questions about what will disable alarm equipment, consult your telephone service provider or a qualified installer.

If this equipment is malfunctioning, it must be unplugged from the modular jack until the problem has been corrected. Repairs to

this telephone equipment can only be made by the manufacturer or its authorized agents. For repair procedures, follow the instructions outlined under **VTech Hospitality limited warranty program** in the user's manual.

If this equipment is causing harm to the telephone network, your telephone service provider may temporarily discontinue your telephone service. Your telephone service provider is required to notify you before interrupting service. If advance notice is not practical, you will be notified as soon as possible. You will be given the opportunity to correct the problem and your telephone service provider is required to inform you of your right to file a complaint with the FCC. Your telephone service provider may make changes in its facilities, equipment, operation, or procedures that could affect the proper functioning of this product. Your telephone service provider is required to notify you if such changes are planned.

If this product is equipped with a corded or cordless handset, it is hearing aid compatible.

If this product has memory dialing locations, you may choose to store emergency telephone numbers (e.g., police, fire, medical) in these locations. If you do store or test emergency numbers, please:

Remain on the line and briefly explain the reason for the call before hanging up.

Perform such activities in off-peak hours, such as early morning or late evening.

When the adjunct is used with a leased system, permission of the owner of the equipment must be obtained for connection of the adjunct because modification of the host system is often required.

This product can only be connected to the host equipment and never directly to the network.

## INDUSTRY CANADA

This product meets the applicable Innovation, Science and Economic Development Canada technical specifications.

The Ringer Equivalence Number (REN) is an indication of the maximum number of devices allowed to be connected to a telephone interface. The termination of an interface may consist of any combination of devices subject only to the requirement that the sum of the RENs of all the devices not exceed five.

Le présent matériel est conforme aux spécifications techniques applicables d'Innovation, Sciences et Développement économique Canada.

L'indice d'équivalence de la sonnerie (IES) sert à indiquer le nombre maximal de terminaux qui peuvent être raccordés à une interface téléphonique. La terminaison d'une interface peut consister en une combinaison quelconque de dispositifs, à la seule condition que la somme d'indices d'équivalence de la sonnerie de tous les dispositifs n'excède pas cinq.



## ISED WARNING

This device complies with Innovation, Science, and Economic Development Canada licence-exempt RSS standard(s). Operation is subject to the following two conditions:

- (1) this device may not cause interference, and
- (2) this device must accept any interference, including interference that may cause undesired operation of the device.

Privacy of communications may not be ensured when using this telephone.

## Avertissement ISED

Cet appareil est compatible avec la licence de l'Innovation, la Science et le développement économique du Canada à l'exemption des normes RSS. Le fonctionnement est sujet aux deux (2) conditions suivantes :

- (1) Cet appareil peut ne pas causer de l'interférence, et
- (2) Cet appareil doit accepter l'interférence, incluant de l'interférence qui peut causer un mauvais fonctionnement de cet appareil.

La confidentialité des communications peut ne pas être garantie lors de l'utilisation de ce téléphone.

## Appendix

### Precautions for users of implanted cardiac pacemakers

Cardiac pacemakers (applies only to digital cordless telephones):

Wireless Technology Research, LLC (WTR), an independent research entity, led a multidisciplinary evaluation of the interference between portable wireless telephones and implanted cardiac pacemakers. Supported by the U.S. Food and Drug Administration, WTR recommends to physicians that:

Pacemaker patients

- Should keep wireless telephones at least six inches from the pacemaker.
- Should NOT place wireless telephones directly over the pacemaker, such as in a breast pocket, when it is turned ON.
- Should use the wireless telephone at the ear opposite the pacemaker.

WTR's evaluation did not identify any risk to bystanders with pacemakers from other persons using wireless telephones.

## Operating range

The cordless telephone operates with the maximum power allowed by the Federal Communications Commission (FCC). Even so, the cordless handset and telephone base can communicate over only a certain distance - which can vary with the locations of the telephone base, cordless handset, the weather, and the layout of the hotel.

When the cordless handset is out of range while on a call, the cordless handset rapidly beeps three times.

If there is a call while the handset is out of range, it may not ring, or if it does ring, the call may not connect well when you answer the call. Move closer to the telephone base to answer the call.

If the handset moves out of range during a telephone conversation, there may be interference.

To improve reception, move closer to the telephone base.

## Appendix

### Important note

This equipment is not designed for making emergency telephone call when the power fails. Alternative arrangements should be made for access to emergency services.

### Environmental notes

- Do not expose to direct sunlight.
- Do not place your product on carpets or other surfaces which generate fibres, or place in locations where proper ventilation is not provided.
- Do not submerge any part of your product in water and do not use it in damp or humid conditions, such as bathrooms.
- Do not expose your product to fire, explosive or other hazardous conditions.
- Avoid using a telephone (other than cordless) during an electrical storm. There is a remote risk of electric shock from lightning.

### Product disposal instructions

The symbol shown here and on the product means that the product is classed as Electrical or Electronic Equipment and should not be disposed with other household or commercial waste at the end of its working life.



The Waste of Electrical and Electronic Equipment (WEEE) Directive (2012/19/EU) has been put in place to recycle products using best available recovery and recycling techniques to minimize the impact on the environment, treat any hazardous substances and avoid the increasing landfill.

## PRODUCT DISPOSAL INSTRUCTIONS FOR RESIDENTIAL USERS

When you have no further use for it, please remove any batteries and dispose of them and the product as per your local authority's recycling processes. For more information please contact your local authority or the retailer where the product was purchased.

## PRODUCT DISPOSAL INSTRUCTIONS FOR BUSINESS USERS

Business users should contact their suppliers and check the terms and conditions of the purchase contract and ensure that this product is not mixed with other commercial waste for disposal.

## European Directives

These equipments are compliant with 2014/35/EU (LVD), 2014/30/EU (EMC) and 2011/65/EU (ROHS).

## Declaration of Conformance

The Declaration of Conformity may be obtained from: [www.vtechhotelphones.com](http://www.vtechhotelphones.com).



## Maintenance

### TAKING CARE OF YOUR TELEPHONE

Your telephone contains sophisticated electronic parts, so it must be treated with care.

### AVOID ROUGH TREATMENT

Place the handset down gently. Save the original packing materials to protect your telephone if you ever need to ship it.

### AVOID WATER

Your telephone can be damaged if it gets wet. Do not use the handset outdoors in the rain, or handle it with wet hands. Do not install the telephone base near a sink, bathtub or shower.

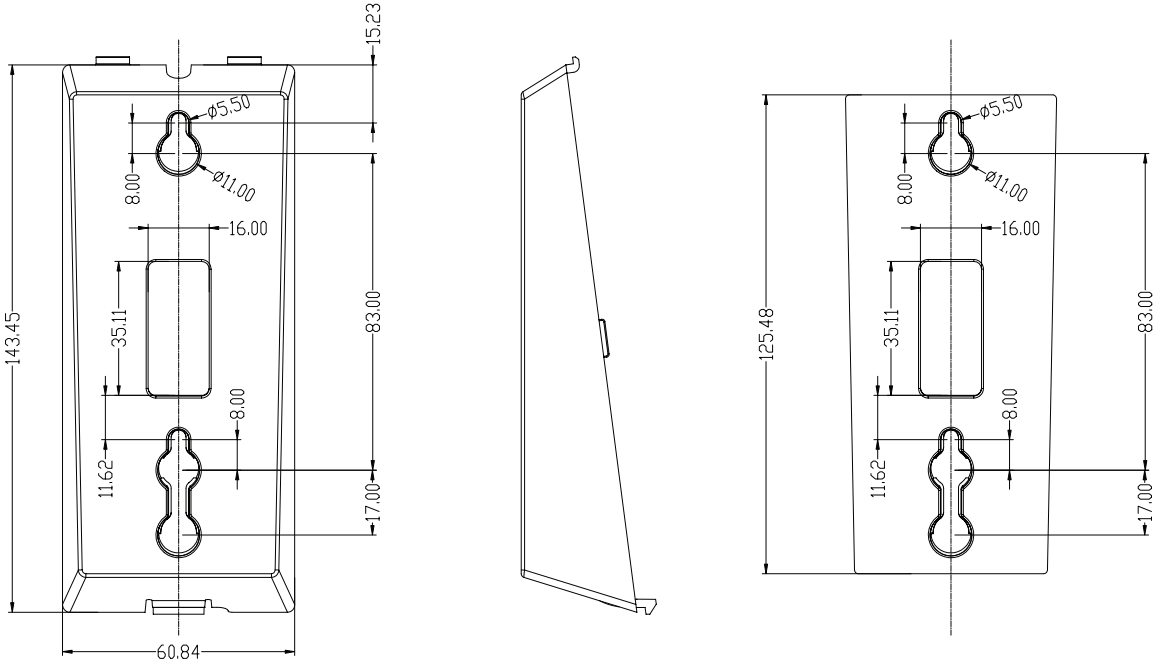
### ELECTRICAL STORMS

Electrical storms can sometimes cause power surges harmful to electronic equipment. For your own safety, take caution when using electrical appliances during storms.

### CLEANING YOUR TELEPHONE

Your telephone has a durable plastic casing that should retain its luster for many years. Clean it only with a soft cloth slightly dampened with water or mild soap. Do not use excess water or cleaning solvents of any kind.

# Appendix



Single Drawing(Scale 1:1)

# Technical specification

## Analog Corded Trimstyle - A2315/ A2315-SPK/ A2315-WM

---

Power requirement	Line powered 24V or 48V (Loop Current: >18mA@Off-Hook mode)
Message waiting signal	Steady/periodic high voltage pulse or periodic low voltage pulse
Speed Dial memory	Telephone handset: up to 4 memory locations; up to 16 digits
Size	Telephone base: 175.27 x 74.15 x 162.95
	Corded handset: 211.79 x 74.14 x 69.43

---

# Index

## A

A2315 6, 10, 14, 15, 16  
A2315-SPK 7, 11, 14, 15, 17  
A2315-WM 9, 12, 14, 15, 16

## C

Cardiac pacemakers 26  
Change the ringer tone 14  
Clear the programmed Speed Dial key 16

## D

Disable the voicemail voltage detection 15

## E

End a call 16, 17

## F

FCC, ACTA and IC regulations 4, 63

## H

Handset speakerphone 47, 17

## I

Important safety instructions 2  
Installation 10, 11, 12, 13

## L

Limited Warranty 21, 22  
Listening volume 16,17

## M

Mute 17

## P

Place a call 16, 17  
Program a Speed Dial key 16

## R

Receive a call 16, 17  
Ringer tone 14  
Ringer volume 16, 17

## S

Set the voicemail voltage detection 15  
Speakerphone 7, 11, 14, 15, 17  
Speed Dial keys 16

## T

Technical specification 28  
Troubleshooting 18, 19, 20

## V

Voicemail voltage detection 15  
Volume 16, 17

## W

Wall mount 9, 12, 13



Specifications are subject to change without notice.  
VTech Telecommunications Ltd.  
All rights reserved. 10/21.

CTM-A2315\_CTM-A2315-SPK\_CTM-A2315-WM\_UG\_V1\_CEC\_EU-  
UK\_2021.10.27

